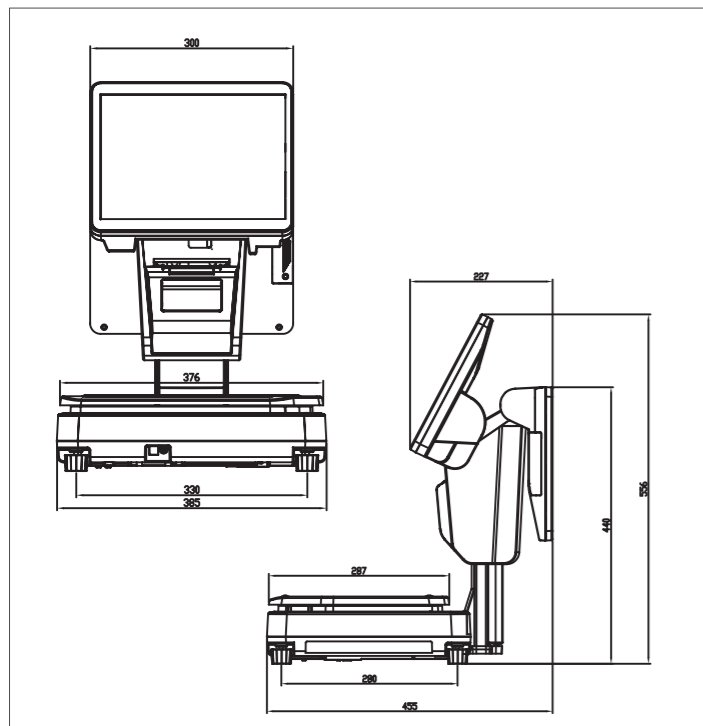


External Dimensions (mm)



Customer Display(optional)



Basic Specifications

Model	RM-5800		
Capacity	3/6kg	6/15kg	15/30kg
Interval	1/2g	2/5g	5/10g
Hardware	CPU	J1900 2.00GHz (BT01)	
	Storage	32GB SSD (Option: 120GB)	
	Memory	1 x DDR3 4GB (Maximum memory size up to 8 GB)	
	Graphics	Integrated Graphics(166-MHz core render clock and 200-MHz core display clock at 1.05-V core voltage)	
	Audio	N/A	
	USB	USB 2.0 host controllers	
	PATA	N/A	
	SATA	N/A	
	I/O Ports (Back Panel)	1 x RJ45 LAN 4 x USB 1 x RS232 1 x RJ9 Drawer	
Display	Main Display	12.1 inches TFT LCD Panel	
	Customer Display	7 inches TFT LCD Panel(12.1 inches TFT LCD Panel Optional)	
Printer	Model	Thermal Printer with Auto-cutter	
	Resolution	8 dot / mm	
	Printing width	72 mm	
	Paper width	80 mm	
	Print speed	Maximum 220 mm / sec	
	Life span	100 million pulses, 100km or more	
Power Source		AC 88 ~ 132V, 50/60 Hz (Factory preset)	AC 176 ~ 264V, 50/60 Hz (Factory preset)
Operating Temperature		-10 ~ +40	
Operating Humidity		15% ~ 85% RH	

*Specifications are subject to change without prior notice.



RM-5800

POS Scale

Powerful partner in your retail business



TERAOKA SEIKO CO.,LTD.

13-12 Kugahara 5-chome, Ohta-ku,
Tokyo 146-8580, JAPAN
TEL: +81-3-3752-2131
FAX: +81-3-3752-2801
URL: <http://www.digisystem.com>
E-MAIL: info@hq.digi.co.jp

TERAOKA WEIGH-SYSTEM PTE LTD.

4, Leng Kee Road, #06-01, SIS Building,
SINGAPORE 159088
TEL: +65-6861-3911
FAX: +65-6861-3144

SHANGHAI TERAOKA ELECTRONIC CO., LTD.

TINGLIN INDUSTRY DEVELOPMENTAL ZONE,
JINSHAN COUNTY, SHANGHAI 201505
TEL: +86-21-57234888
FAX: +86-21-57233049
<http://www.digisystem.com>

Searching for
a New Balance

The World First Price Computing Scale POS

Change Your Retail Business with Salient Value

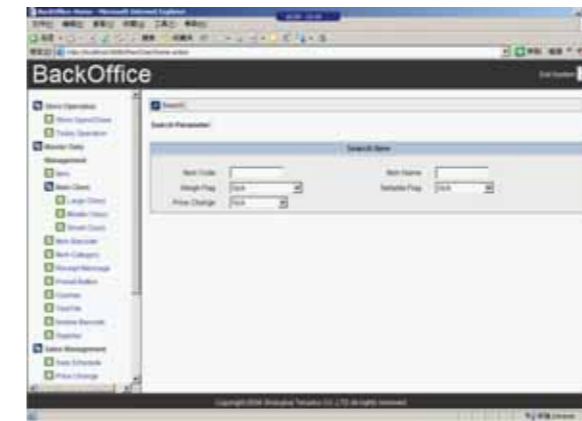


MaxChain web-based back office/HQ system

This web based back office/HQ system works with MaxPos application software.

This management system provide sales/purchase/warehouse control and other functions.

- Store Operation
- Purchase Management
- Store Setup
- General Setup
- Master Data Management
- Inventory Management
- Store Member Setup
- System Maintenance
- Sales Management
- Distribution Management
- Sales Analysis



MaxPos application software

MaxPos is the price computing scale software adding full POS functions. It has all standard functions of POS and is running on winXP or Linux platform in addition to scale functions. It can also built on other platform that you can select. MaxPos offer a quick and easy way to process sales. By keeping track of the merchandise you weigh and scan, it allows you to collect sales information, keep your inventory up to date.



This system can keep track of your inventory, daily sales and customer information.

Act as a full management system for your retail business and help you keep track of your store business.

RM-5800 can connect back office in store and then store back office link to HQ system or connect HQ system directly via internet.

We also provide ASP service which MaxChain system on internet.

ASP allows owners to access data directly from the head office, at shop level or from anyplace that has internet or broadband access.

